



# Tech Info Library

## 25-Pin SCSI Terminator: How To Build

Revised: 4/11/91  
Security: Everyone

25-Pin SCSI Terminator: How To Build

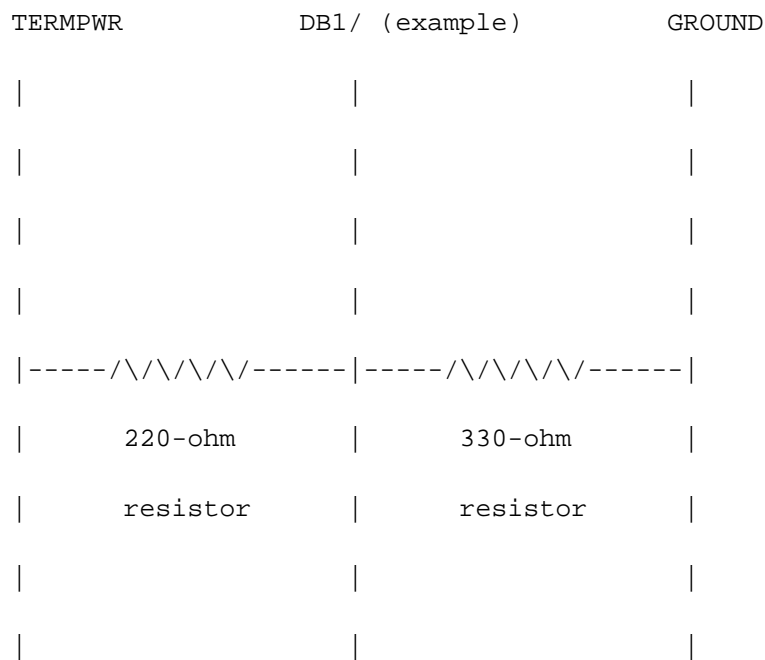
=====  
This article last reviewed: 31 January 1989

Here is how you can make a 25-pin terminator (a rarely-needed commodity).  
Pinouts for the SCSI port are as follows:

Pin No. -----	Signal Name -----	Description -----
1	REQ/	Request
2	MSG/	Message
3	I/O/	Input/Output
4	RESET/	Reset
5	ACK/	Acknowledge
6	BSY/	Busy
7	GROUND	Signal Ground
8	DB0/	Data Bit 0
9	GROUND	Signal Ground
10	DB3/	Data Bit 3
11	DB5/	Data Bit 5
12	DB6/	Data Bit 6
13	DB7/	Data Bit 7

14	GROUND	Signal Ground
15	C/D/	Control/Data
16	GROUND	Signal Ground
17	ATN/	Attention
18	GROUND	Signal Ground
19	SEL/	Select
20	DBP/	Data Parity
21	DB1/	Data Bit 1
22	DB2/	Data Bit 2
23	DB4/	Data Bit 4
24	GROUND	Signal Ground
25	TERMPWR	+5 volts

Inside the Apple SCSI Terminator each signal line (ends with "/") is connected to TERMPWR through a 220-ohm resistor and is also connected to GROUND through a 330-ohm resistor.



The obvious tradeoff here is cost versus time to build this terminator. It would seem that size is also an issue; this is a lot of resistors and solder

joints to deal with.

However, if someone needs it, and where appearance is not an issue and energy is in abundance, this is a solution.

Copyright 1989 Apple Computer, Inc.

Tech Info Library Article Number:3559